

I 2 3 4 5

A

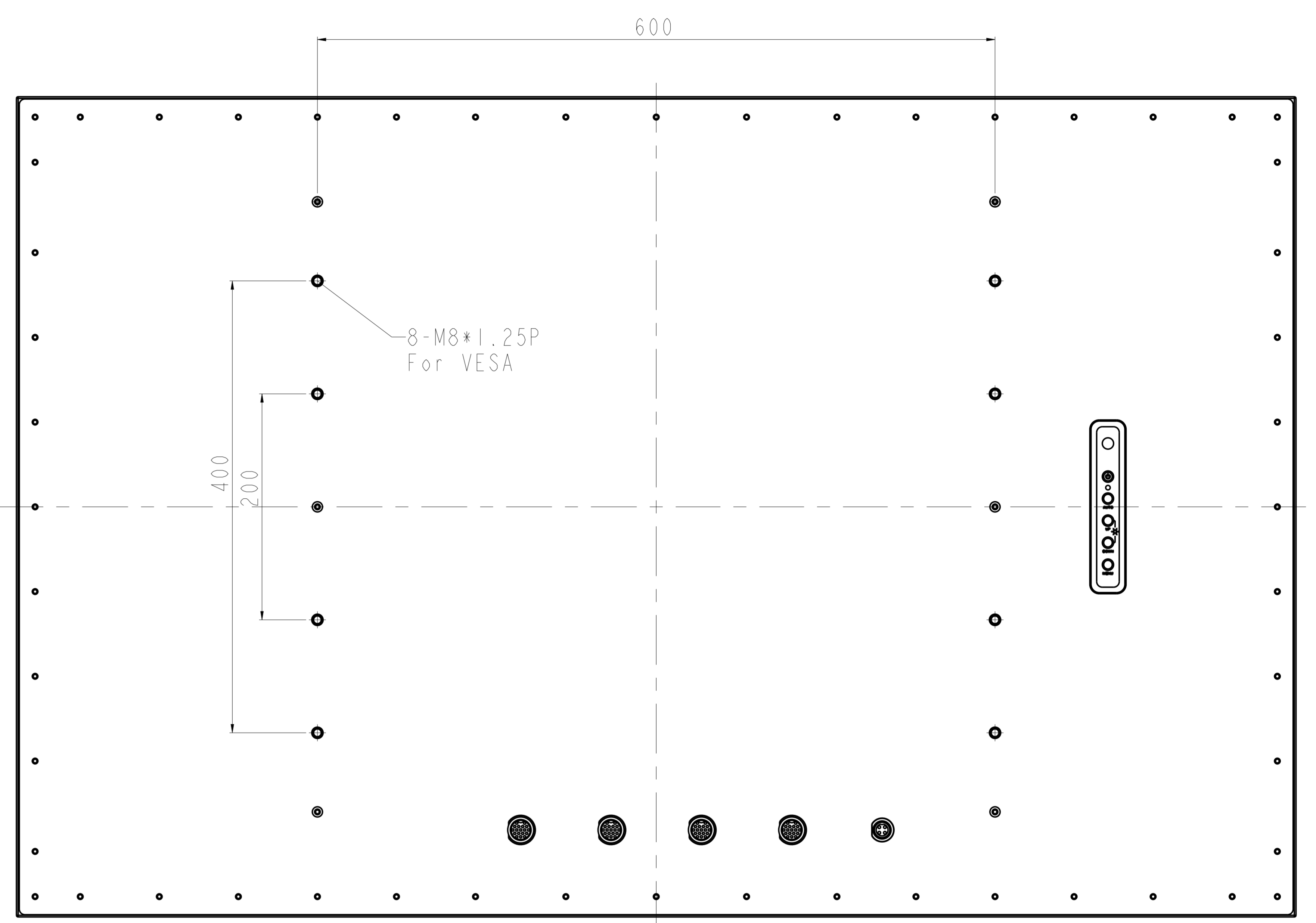
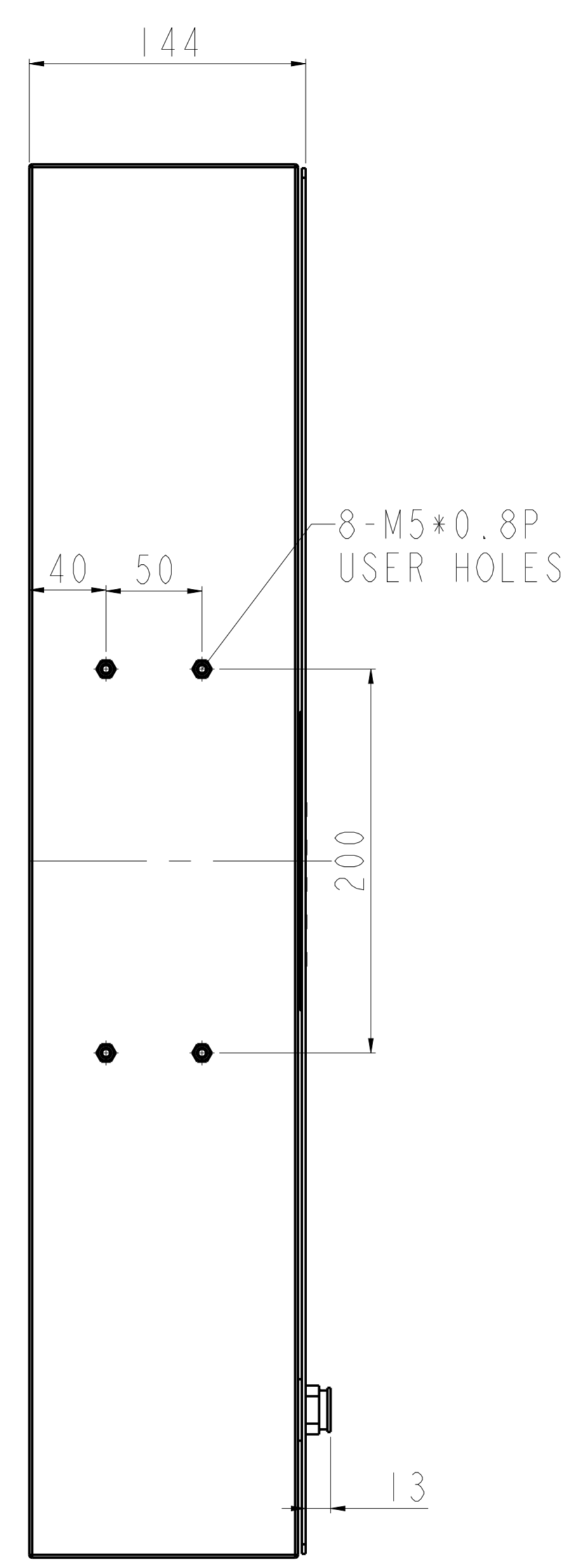
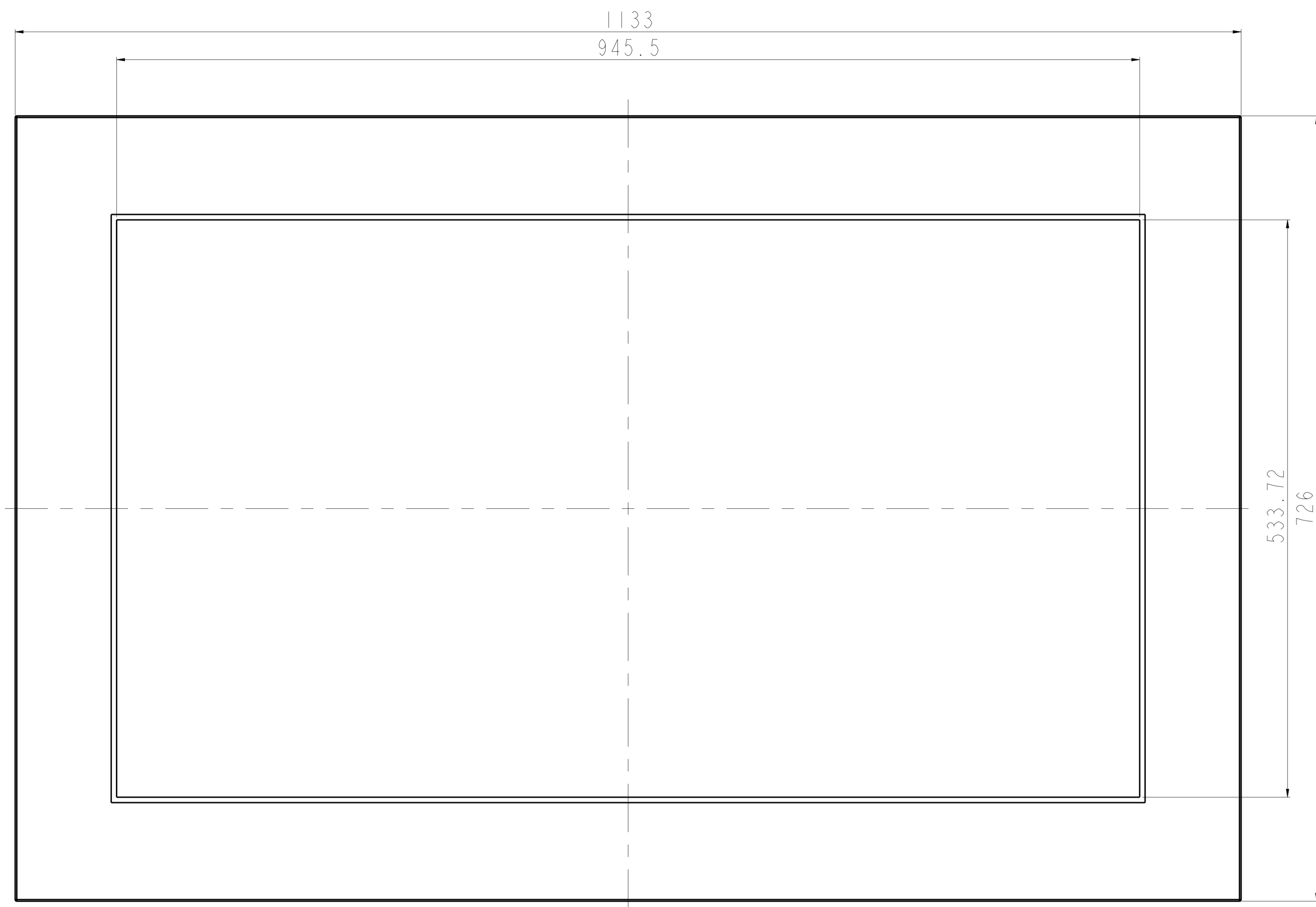
B

C

A

B

C



AD/BOARD		MODEL	FPCH43041-PCT		Winsonic Electronics. Co., Ltd.				
INVERTER		PART NO.			PART NAME	ASSEMBLY			
KEY PAD		MATERIAL	SUS 304	DATE	2019-Feb-27	APPROVED		SCALE	0.4
PANEL :						DRAWN	Jack	UNIT	MM

I 2 3 4 5

D