



## ELP010C0350LS

Constant Current Power Supply

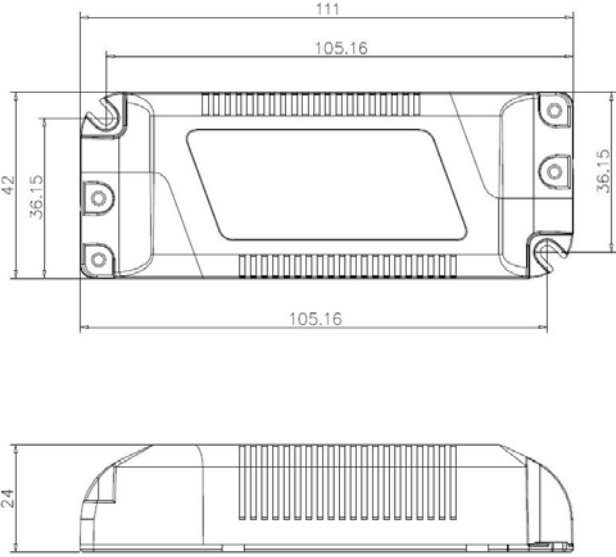
350mA / 17~35VDC / 5~10W / IP20



### I. Technical data

GENERAL	
Input voltage	100~240VAC
Input frequency	50/60Hz
Input current	0,2A Max.
Output voltage	17~35VDC
Output current	350mA
Load range	5~10W
Output connection	Terminal block connection; Cable length max. 4.5 meter
Power factor	>0,9 (@ 25°C full load)
Efficiency	≥80%
No load losses	<0,3W
Environment temperature	-5°C~+50°C
Surface temperature	75°C max.
Protection class	IP20
Lifetime	≥ 50000 hours (@ 25°C full load)
PROTECTION	
Isolation class	Class II, SELV
Short circuit protection	Resettable after fault removed
Over load protection	Resettable after fault removed
Over temperature protection	Resettable after temperature descending acc. IEC 61347-1 appendix C
Electric strength	IN-OUT / IN-FG: 3750VAC/5mA/1 min; OUT-FG: 500VAC/5mA/1 min;
Insulation resistor	≥ 4MΩ
STANDARD	
LVD	EN61347-1, EN61347-2-13, EN60598-1, EN60598-2-6
EMC	EN55015, EN61547, EN61000-3-2, EN61000-3-3
Approvals	CE, Intertek Semko
RoHS compatible	Yes

II. Dimension



Unit: mm