

## 50W Constant Current

EIP050CXXXXLSD1



■ Approve



### ■ Features

- Class II, SELV, independent
- Input Voltage 220-240VAC
- Protections: SCP/OLP/OVP/OTP
- Power Factor >0.9
- Efficiency ≥87%
- Support Leading edge(Triac) & trailing edge(ELV) dimmable
- 5 years warranty

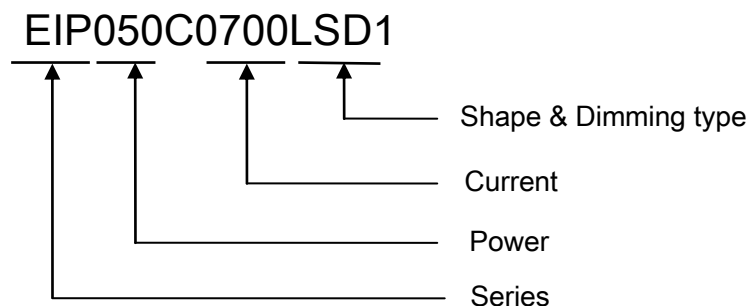
### ■ Applications(Typ.)

- down light
- Pendant light

### ■ Description

EIP050CXXXXLSD1 is a 50W constant current LED driver that operates from 198-264Vac input with 700mA to 1500mA output current. With it's compact dimensions from 157x 54 X 36mm it is easy to integrate in down light and pendant light products. To ensure trouble-free operation, protection is provided against output short circuit and over Load.

### ■ Model code



## 50W Constant Current

EIP050CXXXXLSD1

### ■ Specification

Input	Rated input voltage	220-240VAC				
	Range of input voltage	198-264VAC				
	Frequency(Hz)	50/60 Hz				
	Power Factor	> 0.9@Full Load,220-240VAC				
	Input Current max	0.39A MAX. @Full load, 198Vac				
	Start-up time	< 0.5S				
	Unload Power Consumption	≤1W				
	Inrush Current	20A Max.				
	THD	< 20%@Full Load, 240VAC				
	Leakage Current	< 0.7mA(240VAC)				
Output	Constant Current *Note 3	700mA	1050mA	1200mA	...	1500mA
	Unload voltage Max.	85VDC	61VDC	55VDC	...	45VDC
	Voltage Range(VDC)	48-72VDC	32-48VDC	28-42VDC	...	22-34VDC
	Rated power	50.4W Max.	50.4W Max.	50.4W Max.	...	51W Max.
	Current Accuracy	±5%@220-240VAC				
	Voltage Regulation	±5% @Full Load, 220-240VAC				
	Load Regulation	±5%@220-240VAC				
	Hold-up Time	1s max.@Full Load				
	Ripple& Noise *Note.2	≤±5%@Full Load, 240VAC				
	Efficiency(Typ.)	≥87%@Full Load, 240VAC				
Dimming	Dimmable	Leading edge & trailing edge dimmable				
	Dimming mode	BERKER 2873 ; JUNG 225 NV DE; GIRA(226200/I01)				
	Dimming current range	10% ~ 100% for leading edge & 13% ~ 100% for trailing edge				
Protection	Over Load Protection	105-120% Protection type: Auto Resume				
	Over Voltage Protection	> 85VDC	> 61VDC	> 55VDC	...	> 45VDC
	Short circuit Protection	Protection type: Auto Resume				
	Over temperature Protection	Protection type: Auto Resume				
	Operating Temperature	-10°C...+50°C				
Environment	tc	85°C				
	Storage Temperature	-20°C...+60°C				
	Life time	> 30,000h@ta=50°C				
	Humidity	20%-90%RH				
Others	Dimension	157X54X36(LXWXH)mm				
Safety & EMC	Safety standards	EN 61347-1; EN61347-2-13;				
	Withstand voltage	Input-Output : 3750V/5mA/1min				
	Isolation resistance	Input-Output : ≥4MΩ@500VDC				
	EMI	EN55015; EN61000-3-2 Class C; EN61000-3-3				
	EMS	EN 61547; EN 61000-4-2; EN 61000-4-5 —1000V;				
Note	1.All parameters NOT specially mentioned are measured at 240VAC input , full load and 25°C of ambient temperature. 2.Ripple & Noise are measured at 20MHz of bandwidth by using a 300mm twisted pair-wire terminated with a 0.1uF & 47 uF parallel capacitor. 3.Output current can be from 700mA to 1500mA and increasing in multiples of 50mA.Please see Model list below and contact EAGLERISE for details.					

## 50W Constant Current

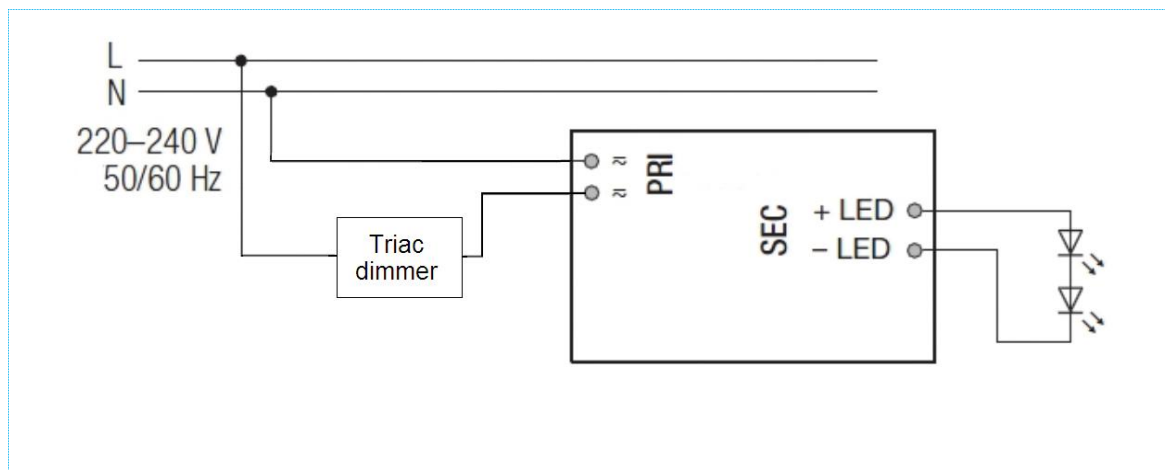
EIP050CXXXXLSD1

### Model list

Model list:  
EIP050CXXXXLSD1

Model	Input rating	Output rating			
		Normal working voltage (Vdc)	No load working voltage (Vdc)	Constant Current (mA)	Max.Power (W)
EIP050C0700LSD1	220-240VAC, 50/60Hz, 0.39A Max.	48-72	85	700	50.4
EIP050C0750LSD1		44.5-67	80	750	50.3
EIP050C0800LSD1		41.5-62.5	75.5	800	50
EIP050C0850LSD1		39-59	72	850	50.2
EIP050C0900LSD1		37-56	69	900	50.4
EIP050C0950LSD1		35-53	66	950	50.4
EIP050C1000LSD1		33-50	63	1000	50
EIP050C1050LSD1		32-48	61	1050	50.4
EIP050C1100LSD1		30-45.5	58.5	1100	50.1
EIP050C1150LSD1		29-43.5	56.5	1150	50
EIP050C1200LSD1		28-42	55	1200	50.4
EIP050C1250LSD1		26.5-40	53	1250	50
EIP050C1300LSD1		25.5-38.5	51.5	1300	50.1
EIP050C1350LSD1		25-37.5	50.5	1350	50.6
EIP050C1400LSD1		24-36	46	1400	50.4
EIP050C1450LSD1		23-34.5	45	1450	50
EIP050C1500LSD1		22-34	45	1500	51

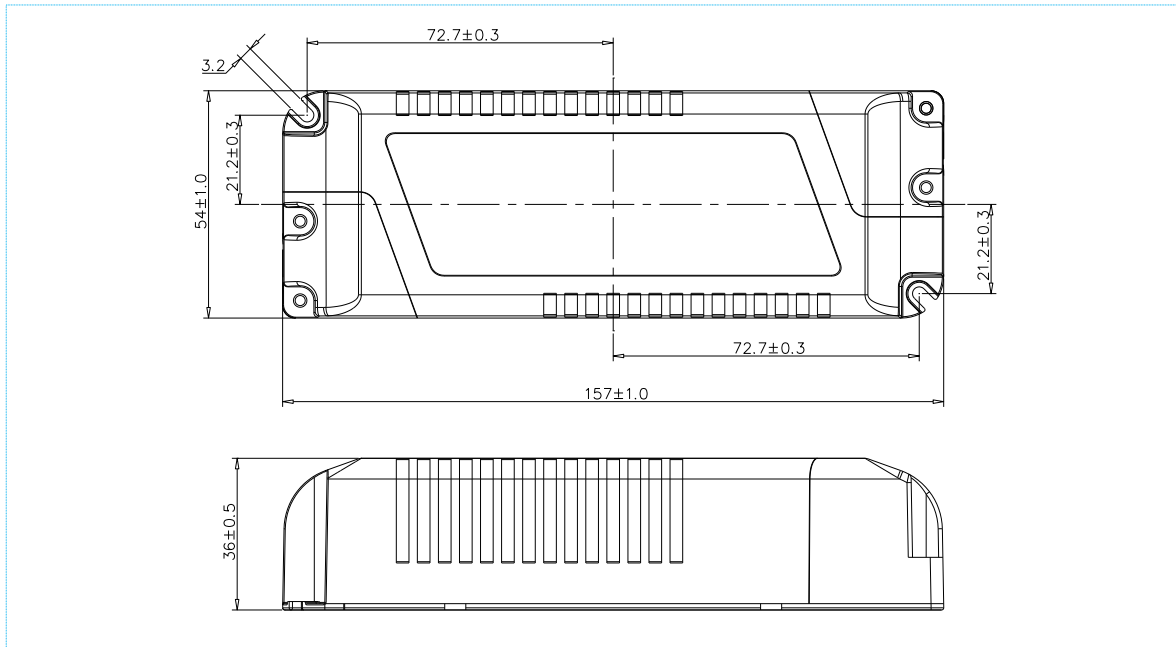
### Wiring diagram



## 50W Constant Current

EIP050CXXXXLSD1

### ■2D diagram



### ■Operating window

